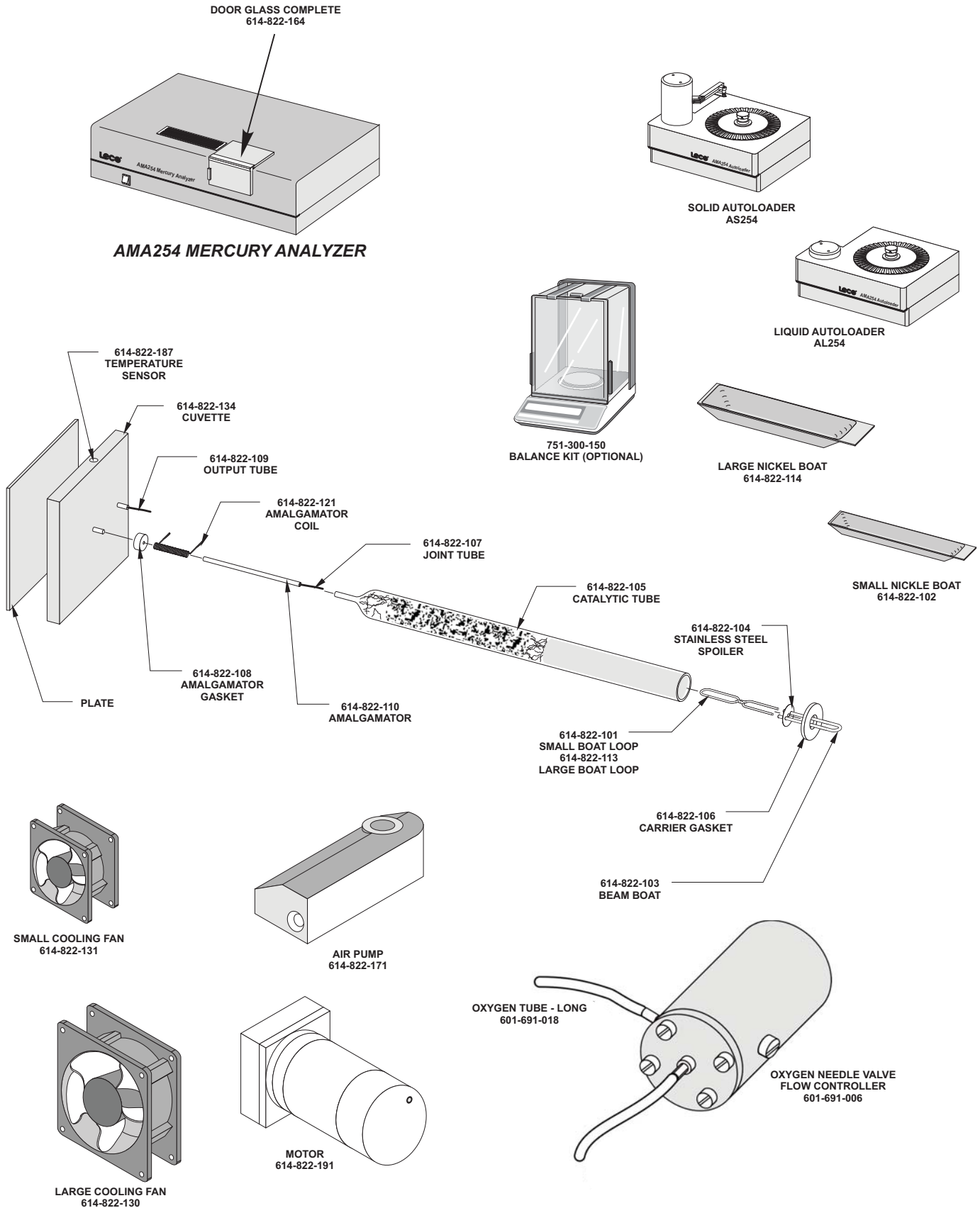


Note: Part numbers and standards' values may change. Consult LECO for the latest information.



See reverse side for contact information

SPARE PARTS

614-822-171 Air Pump
 614-822-138 Air Tube (AL-254)
 614-822-186 Alignment Bracket
 614-822-131 Cooling Fan, Small
 614-822-130 Cooling Fan, Large
 614-822-134 Cuvette
 614-822-164 Door Glass, Complete
 614-822-139 Internal Rinse Tube (AL-254)
 614-822-191 Motor
 614-822-117 O-ring, Silicon
 614-822-129 Oxygen Needle Valve
 614-822-187 Temperature Sensor

CONSUMABLES

614-822-110 Amalgamator
 614-822-121 Amalgamator Coil
 614-822-108 Amalgamator Gasket
 614-822-103 Beam Boat, Stainless Steel
 614-822-114 Boat, Large Nickel
 614-822-102 Boat, Small Nickel
 614-822-101 Small Boat Loop, Small
 614-822-113 Large Boat Loop, Large
 614-822-106 Carrier Gasket
 614-822-105 Catalytic Tube
 614-822-107 Joint Tube
 614-822-109 Output Tube
 614-822-104 Spoiler

OPTIONS

AL254 Autoloader (Liquid)
 AS254 Autoloader (Solid)
 614-822-152 Boat Holder
 614-822-175 Large Boat Carousel
 614-822-146 Carousel (Liquid)
 614-822-150 Plastic Carousel Cover (Liquid)
 614-822-147 Carousel (Solid)
 614-822-151 Plastic Carousel Cover (Solid)
 751-300-150 Balance Kit, 4-Place
 751-700-120 Balance Kit, 5-Place
 619-592-403 Oxygen Regulator (Tank), 2-Stage
 621-448-110 Printer

STANDARD REFERENCE MATERIALS

Part No.	Description	ppm Hg	Contents
502-405	NIST 1632 Hg in Coal	~0.09	50 g
502-499	BCR 143r Hg in Dry Sludge	~1.1	50 g
502-649	NIST 2781 Hg in Dry Sludge	~3.64	40 g
502-685	LECO Coal RM Low Hg	~0.05	50 g
502-686	LECO Coal RM Med Hg	~0.10	50 g
502-687	LECO Coal RM High Hg	~0.14	50 g
502-813	LECO Fly Ash	~0.35	20 g
502-843	Fly Ash Carbon Concentrate	~0.83	20 g

NOTE: Part numbers and standards' values may change. Consult LECO for latest information.